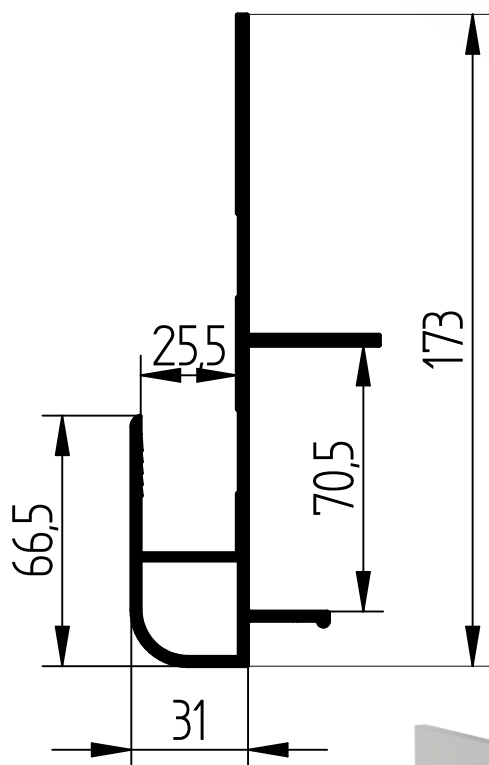
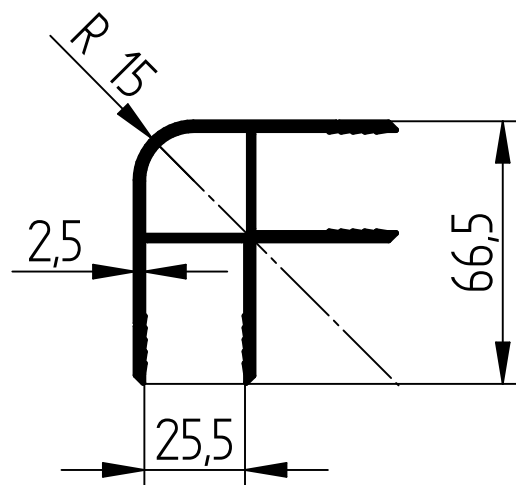
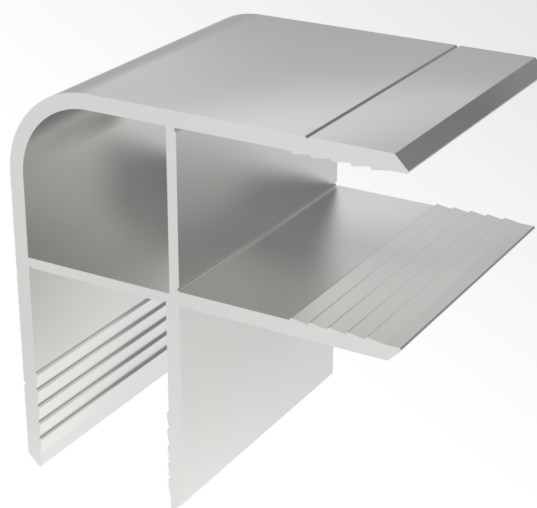
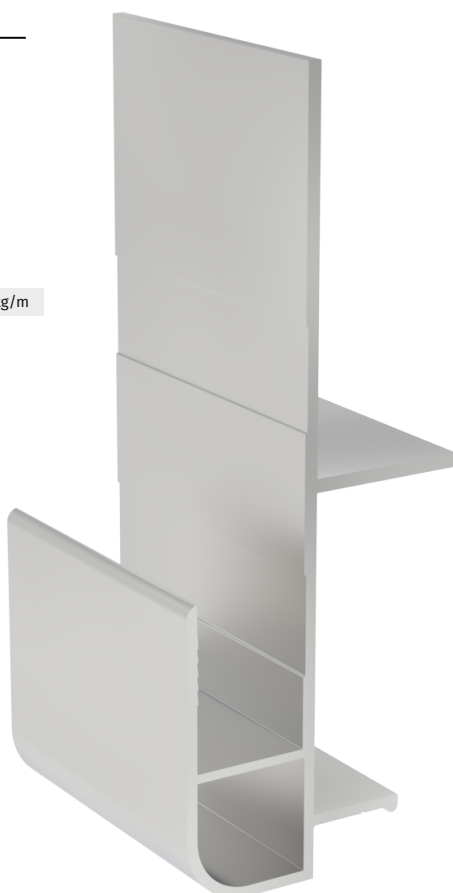


NEW 25 mm box profiles



Box perimetral profile- 25 mm

Cat. No.	Weight
022068	2,466 kg/m
ALUMINIUM	ANODIZED



Box corner profile- 25 mm

Cat. No.	Weight
022070	1,567 kg/m
ALUMINIUM	ANODIZED

